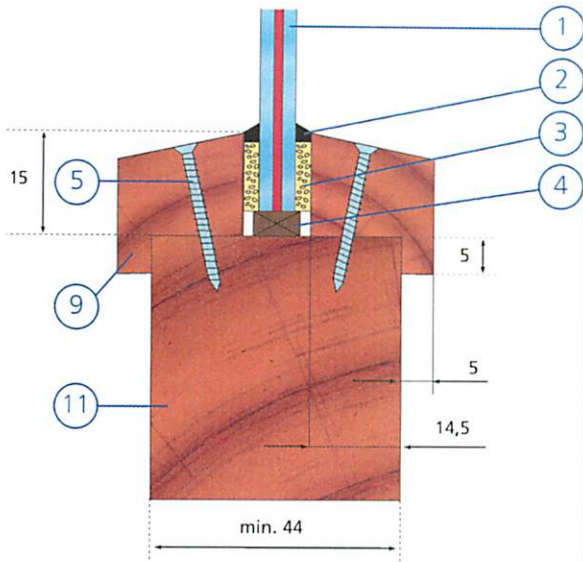


PYROBELITE 7

FIRE RATING: 30 MINUTES INTEGRITY / LOW RADIATION GLASS

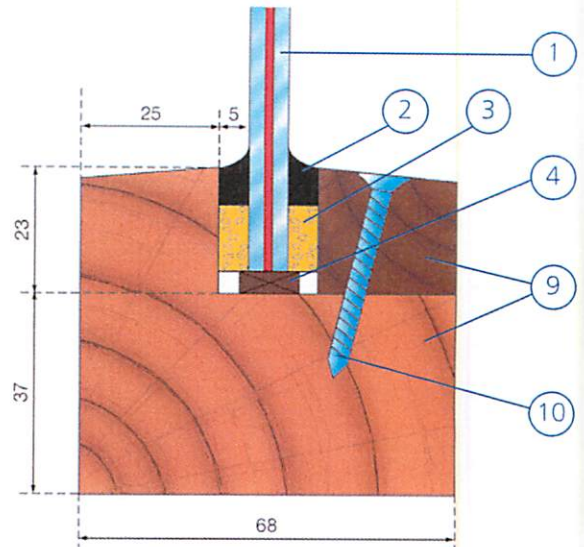
(dimensions in mm)

Timber Doorset



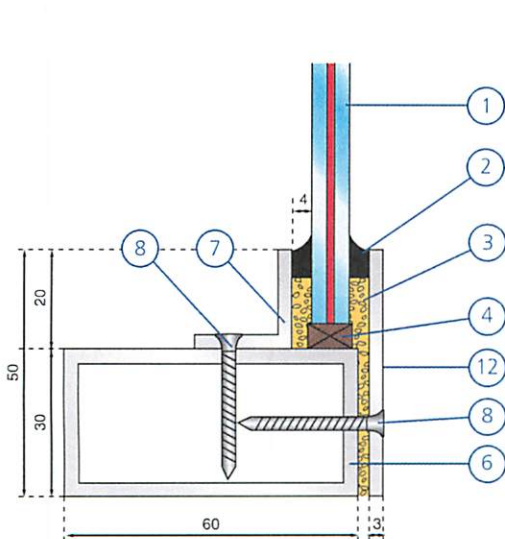
REPORT CHILT/A05178

Timber Screen



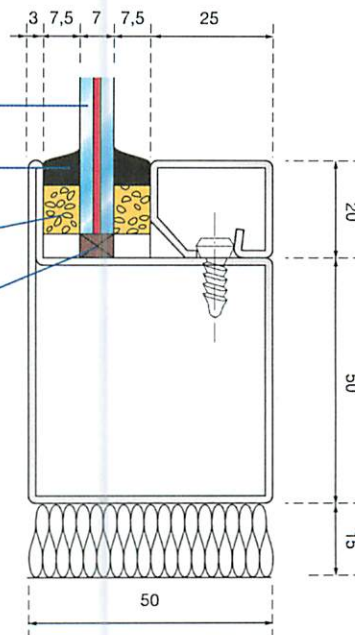
REPORT CERTIFIRE CF 377

Steel Screen



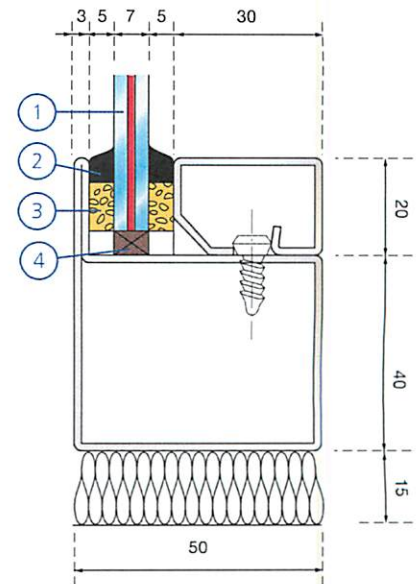
REPORT CERTIFIRE CF377

Steel Screen Jansen Economy 50



REPORT BRE CC89390

Steel Screen Forster Presto



REPORT IFC IFCA/97043A

- 1 Pyrobelite 7
- 2 Neutral silicone
- 3 Ceramic fibre paper 5 mm thick
- 4 Setting block 4 mm thick
- 5 Steel screw 50 mm long
- 6 Steel tube 60 x 30 x 3 mm

- 7 Steel angle 20 x 20 x 3 mm
- 8 Steel screws 30 x 3 mm at 250 mm centres
- 9 Hardwood
- 10 Steel screw 38 x 4 mm at 270 mm centres
- 11 Wood or other approved constructions
- 12 Steel plate 50 x 3 mm

